

Features

- Rugged Construction
- Master / Slave or Common-talk Modes
- Hands-free Operation
- Division 1 Hazardous Area Approvals
- On-off / Volume Control Switch
- Push-to-talk Switch
- Compatible with GAI-TRONICS EZ Page
- Power 120 V ac and 12 V dc
- Option for Auxiliary Microphone
- Option for Auxiliary Footswitch



GAI-TRONICS Model 400-005 and 400-006 RigCom Stations are a common-talk communication system designed for harsh and hazardous environments. The system is simple to use with push-to-talk, release-to-listen operation. Stations can also be configured for hands-free operation utilizing a footswitch press-to-talk. RigCom stations consist of an explosion-proof enclosure and an optional explosion-proof loudspeaker that also functions as the microphone.

Model 400-005 includes an attached Division 1 speaker and driver unit.

Model 400-006 is a remote speaker station suitable for use with GAI-TRONICS 13310-201 speaker driver and suitable horn.

RigCom stations have connections for an auxiliary microphone (12801-002) via isolation barrier (10438-002) and footswitch (51052-003) for remote operation.

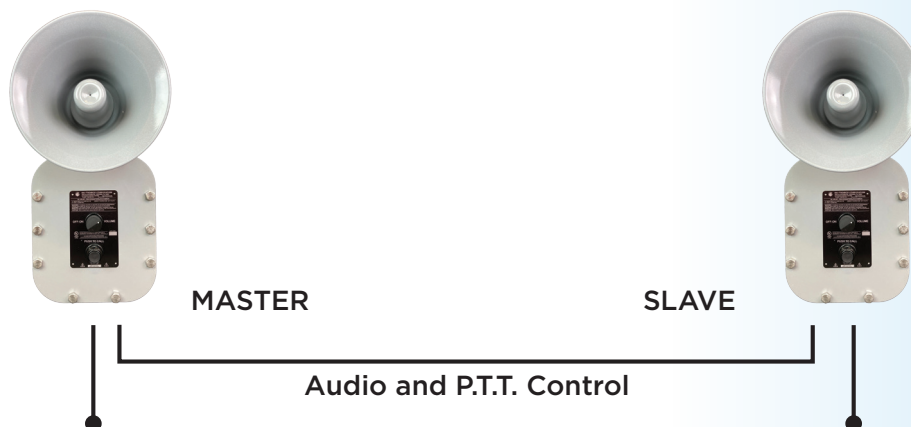
RigCom is compatible with GAI-TRONICS safe area EZ Page stations. (For additional EZ Page information please reference publication #990201).

RigCom and EZ Page can operate in either a common-talk or master/slave configuration.

Common-talk is first come, first serve one-to-many paging.

Master/slave allows slave to operate as a hands-free microphone while master operates as a speaker. Master can press-to-talk, which switches this functionality, and then release-to-listen.

RigCom Master / Slave



GENERAL SPECIFICATIONS

AC Power

Voltage: 120 V ac, 50/60 Hz
 Power Consumed (at nominal):
 Off (mute): 6 VA, 1.8 W
 Standby: 7.2 VA, 3.6 W

DC Power

Voltage: 12 V dc
 Power Consumed (at nominal):
 Off (mute): 0.3 W
 Standby: 3 W

Amplifier

Frequency Response: 300-8 kHz, +/- 3 dB
 Audio Output: 8.0 watts
 Audio THD Distortion: 1% maximum, 8-watt output
 Hum/Noise: 1% maximum, 8-watt output
 Gain-Listen Mode: 30 dB
 Gain-Talk Mode (speaker as the microphone): 42 dB
 Gain-Talk Mode (auxiliary microphone): 48 dB

Speaker (Model 400-005 Only)

Rating: 30 watts maximum
 Impedance: 16 ohms
 Frequency Response: 400-3.5 kHz, +/- 6 dB
 Sound Pressure Level, 1 Watt @ 1 Meter, 104dB

Enclosure

Construction/Finish: Cast aluminum/Gray epoxy powder coat finish
 Mounting: Wall or column, four slotted mounting feet
 Connections: Plug-in style terminal blocks
 Conduit Entries: Bottom - two 3/4-inch NPT
 Top - one 1/2-inch NPT (Model 400-006 only)

Weight

400-005: 40 lbs. (18.1 Kg)
 400-006: 27 lbs. (12.2 Kg)

Operating Temperature

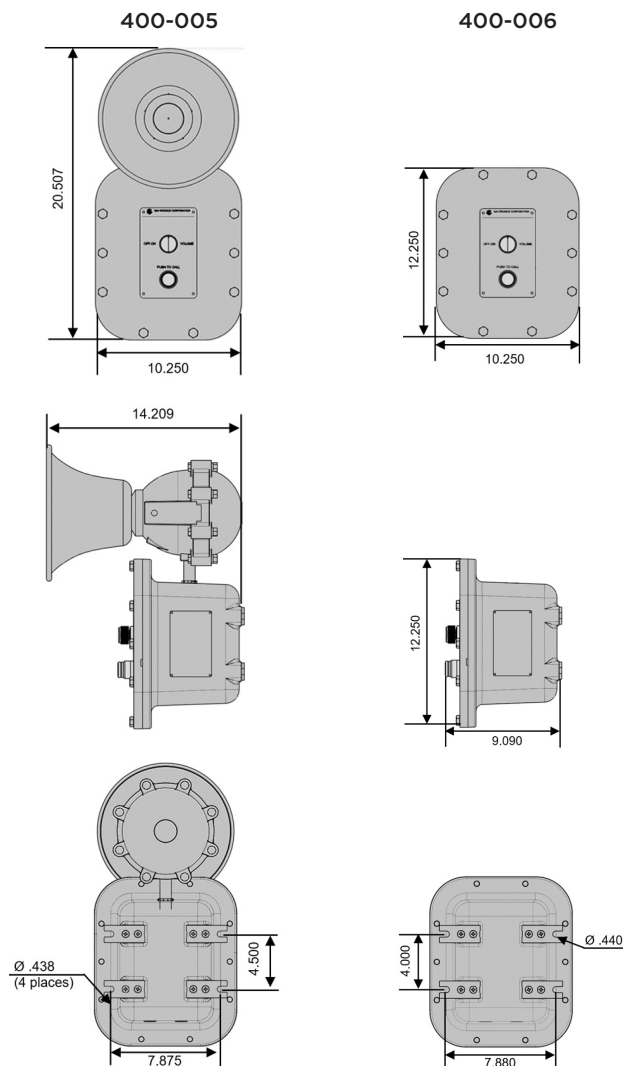
Operating and storage: -20°C to +60°C / -4°F to +140°F

APPROVALS

Model 400-005 RigCom Station:
 NRTL listed: Class I, Div. 1, Groups C & D
 With auxiliary microphone/footswitch: Class I, Div. 1, Group D

Model 400-006 RigCom Station:
 NRTL listed: Class I, Div. 1, Groups B, C & D
 With auxiliary microphone/footswitch: Class I, Div. 1, Group D

DIMENSIONS



ORDER INFORMATION

MODELS	DESCRIPTION
400-005	RigCom Station
400-006	RigCom Station (no speaker)
10438-002	Microphone I.S. Barrier Kit
12801-002	Auxiliary Microphone only
51052-003	Auxiliary Footswitch
60075-001	Audio Cable, 18 AWG, 2 Pair



USA Toll Free 1 (800) 492-1212 Tel (610) 777-1374
 UK Tel +44 (0)1283 500500
 Italy Tel +39 02 48601460
 Asia Tel +(65) 6282 2242 (Press 4 for GAI-TRONICS)
 Australia Tel 011-61-28-851-5000

Visit Our Website: www.gai-tronics.com

Quality Management System Certified by DNV-GL - ISO 9001:2015. The policy of GAI-TRONICS is one of continuous improvement; therefore the company reserves the right to change specifications without notice.

